

Jaguar and Rover Triumph  
 Parts and Accessories  
 BRITISH LEYLAND UK LIMITED  
 Fletchamstead Highway  
 Coventry, CV4 9DB  
 England

**FITTING INSTRUCTION PART NO. 320839**

**Issue 1 March 1972**

**NOTE**

The Manufacturers reserve the right to vary their specifications with or without notice, and at such times and in such manner as they think fit. Major as well as minor changes may be involved in accordance with the Manufacturer's policy of constant product improvement.

Whilst every effort is made to ensure the accuracy of the particulars contained in this Fitting Instruction, neither the Manufacturer nor the Distributor or Dealer by whom this Fitting Instruction is supplied, shall in any circumstances be held liable for any inaccuracy or the consequences thereof.

**SUBJECT: FITTING AUXILIARY SWITCH PANEL KIT**

**MODELS:** Land-Rover Series III 88 and 109

**BRIEF**

**DESCRIPTION:** The auxiliary switch panel provides accommodation for additional switches and/or warning lights, that are required with certain optional equipment items.

**PARTS**

**REQUIRED:** AUXILIARY SWITCH PANEL KIT, RH Stg 1 320837  
 AUXILIARY SWITCH PANEL KIT, LH Stg 1 320838

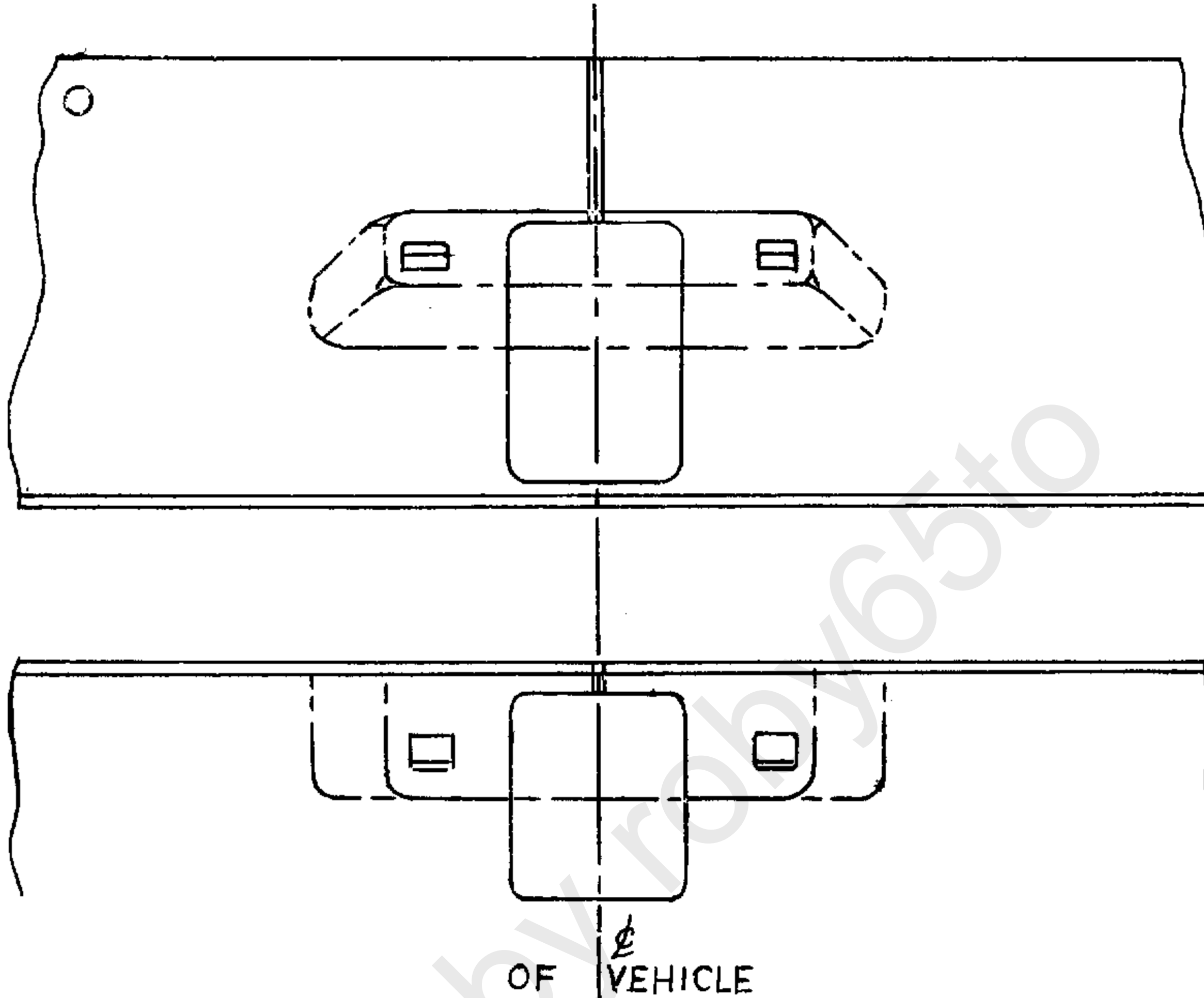
comprises:

Description	Qty	Part No.	
Side panel	1	346732	RH Stg
Side panel	1	346733	LH Stg
Inner side panel	1	346734	RH Stg
Inner side panel	1	346735	LH Stg
Trim Finisher	1	347924	
Drive screw (No. 6 UNC x 5/8" in long)	2	79156	Assembling
Lokut nut	2	79013	side panels
Drive screw (No. 6 x 3/8" in long)	4	78140	Fixing switch panel
Plain washer	4	4032	to front panel
Edging strip	2	347308	
Blanking plug	2	338017	
Blanking plug	2	338015	

**PROCEDURE:**

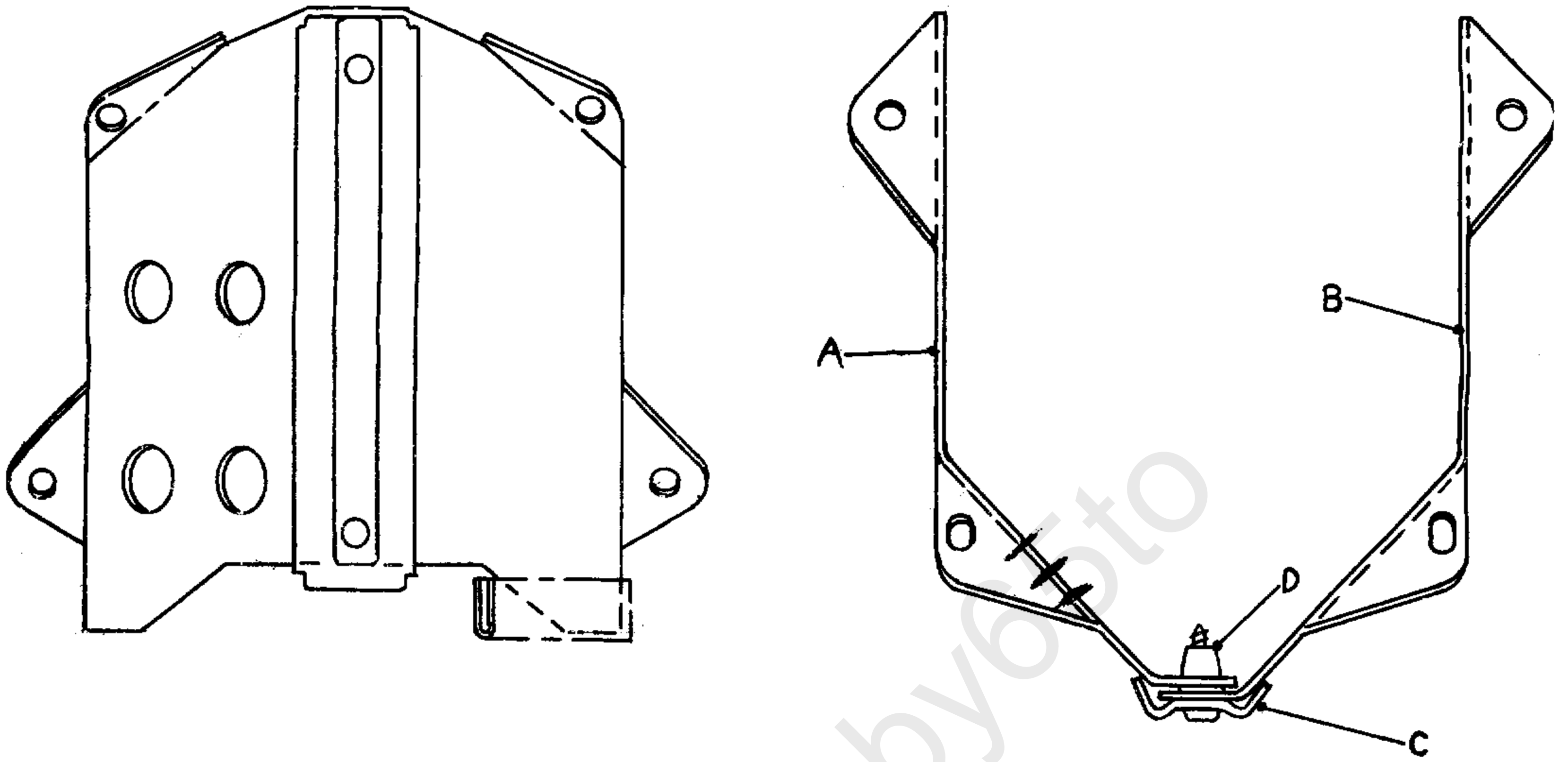
1. Prop open the bonnet.
2. Disconnect the battery earth lead.
3. Remove the parcel tray from the dash, as follows:
  - (a) If the vehicle is fitted with a heater, withdraw the demister hose from the parcel tray.
  - (b) Ease the back of the parcel tray away from the dash by prising out the peg retainers.
  - (c) Withdraw the parcel tray from the dash.
4. Cut a hole in the back of the parcel tray and make a vertical cut from the hole, through to the top edge of the tray, as illustrated, to provide an entry for auxiliary switch and warning light leads.

5. Refit the parcel tray to the dash, locating any auxiliary switch or warning light leads warning through the slotted hole.



**Fig. 1. Modification to back of parcel tray to provide entry for electrical leads**

6. Assemble side panel 346732 RH Stg or 346733 LH Stg to inner side panel 346734 RH Stg or 346735 LH Stg, using locknut 79013 (2), trim finisher 347924 and drive screw 79156 (2).
7. Locate the assembled auxiliary switch panel in position in the centre of dash, mark out and drill four 2,8 mm (0.110 in) diameter fixing holes in the facia support panel.
8. Withdraw the auxiliary switch panel and fit switches or warning lights, as required. Fit blanking plugs 338015 and 338017 to unused holes.
9. Fit edging strip 347308 (2) to the bottom edges of the auxiliary switch panel.
10. Locate the auxiliary switch panel in its approximate fitted position, and connect the electrical leads to the switches and warning lights, as applicable.
11. Align the auxiliary switch panel with the fixing holes previously drilled in the facia support panel, and secure using drive screw 78140 (4) and plain washer 4032 (4).
12. Reconnect the battery earth lead and close the bonnet.



**Fig. 2. Auxiliary switch panel assembly**

- A - Side panel
- B - Inner side panel
- C - Trim finisher
- D - Locknut
- E - Screw

(Left-hand steering panel illustrated. Right-hand steering symmetrically opposite).