



# Fitting Instructions and Parts List

**Part No.  
RTC 7081  
Issue 2  
July 1977**

**Leyland Cars**  
Service and Parts Division

British Leyland UK Limited  
Jaguar & Rover Triumph, Parts & Accessories  
P.O. Box 150, Fletchamstead Highway  
Coventry CV4 9DB

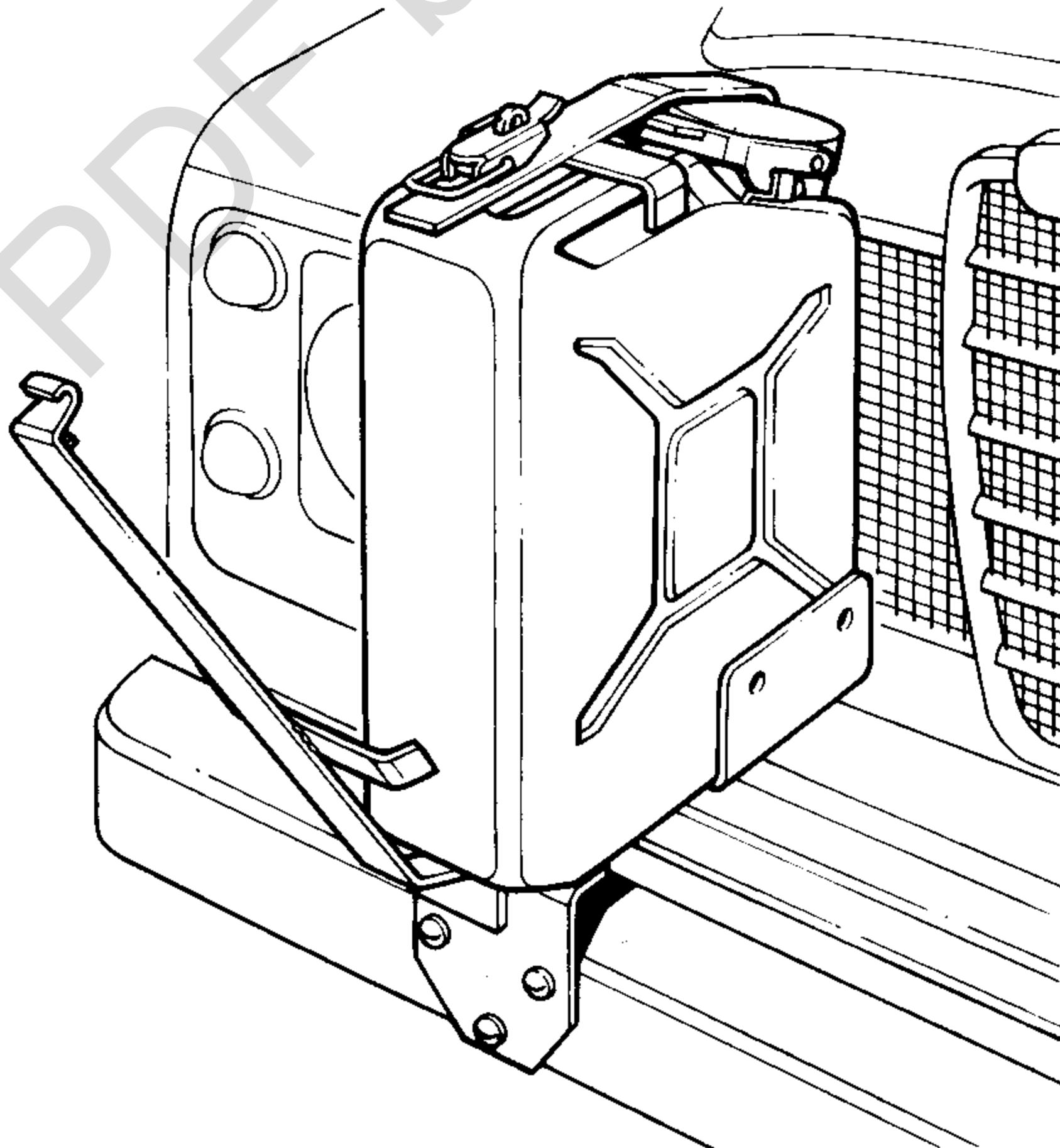
## **JERRY CAN Part No. RTC 8016**

and

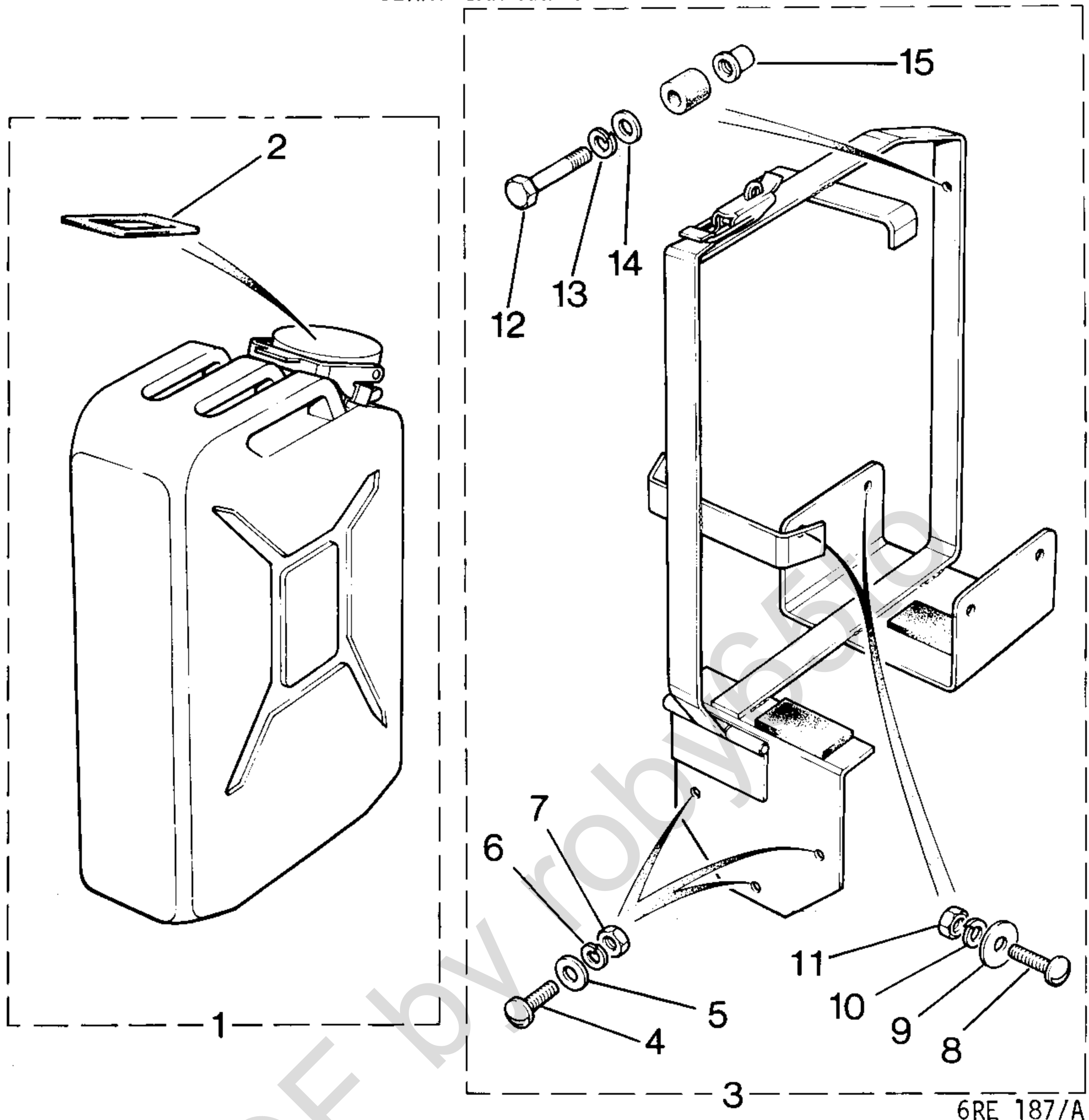
## **FIXING KIT Part No. RTC 8038**

for the

## **LAND-ROVER SERIES IIA and III WITH HEADLAMPS IN WINGS**



JERRY CAN AND FIXING KIT



6RE 187/A

Plate Ref.	Description	Qty	Part No.
1	Jerry can	2	RTC8016
2	Seal for cap	2	RTC7082
3	Fixing kit	2	RTC8038
4	Screw ( $\frac{1}{4}$ " UNF x $\frac{3}{4}$ " )	3	78210
5	Plain washer ( $\frac{1}{4}$ " x $\frac{3}{4}$ " )	3	3900
6	Spring washer	3	GHF331
7	Nut ( $\frac{1}{4}$ " UNF)	3	254810
8	Screw ( $\frac{1}{4}$ " UNF x $\frac{3}{4}$ " )	2	78210
9	Plain washer ( $\frac{1}{4}$ " x 1" )	2	3817
10	Spring washer	2	GHF331
11	Nut ( $\frac{1}{4}$ " UNF)	2	254810
12	Bolt ( $\frac{1}{4}$ " UNF x $1\frac{3}{4}$ " )	1	BH604141
13	Spring washer	1	GHF331
14	Plain washer	1	3900
15	Riv-nut ( $\frac{1}{4}$ " UNF)	1	514929

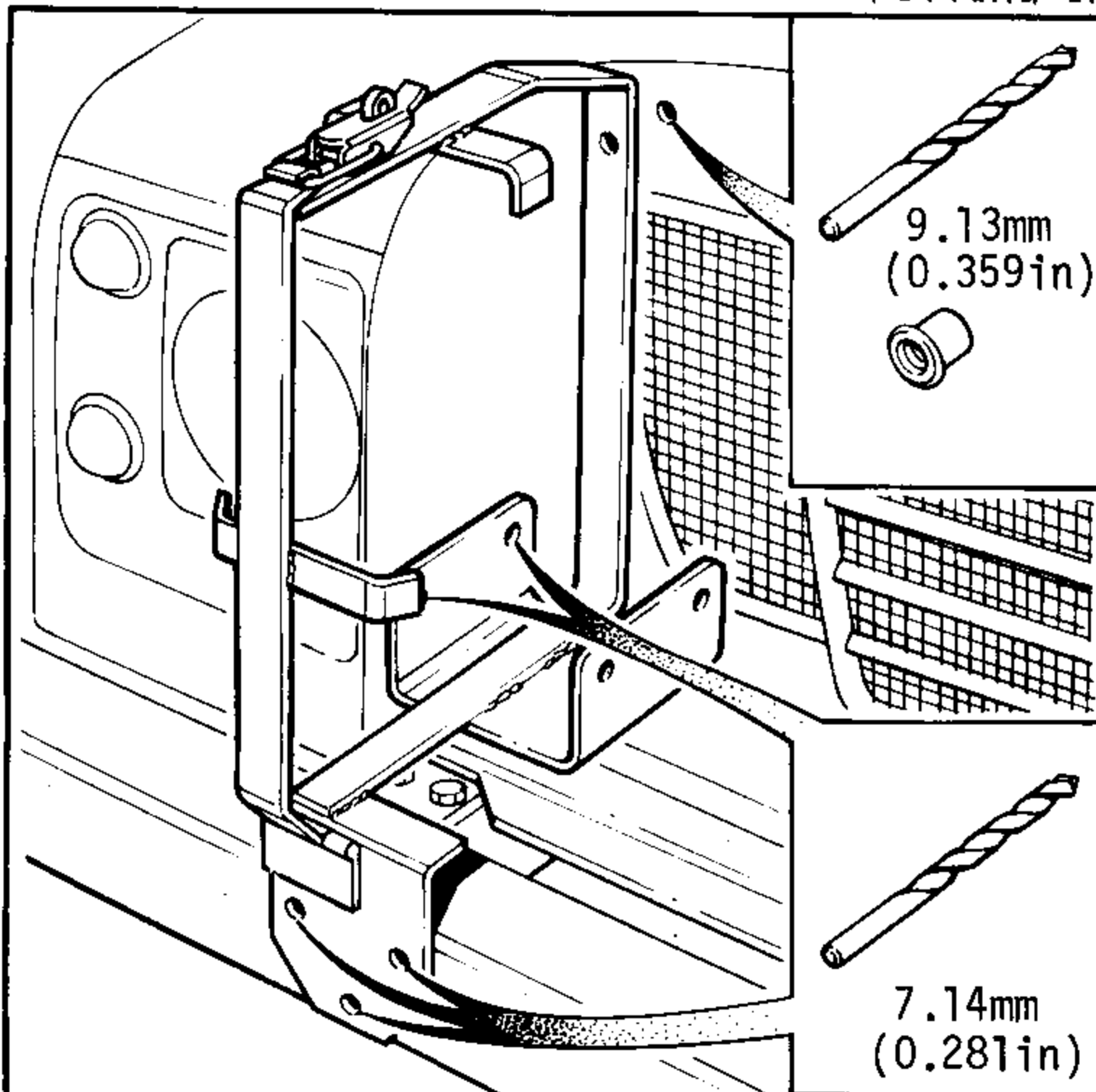
All part of fixing kit RTC8038

Parts not carrying a plate reference are NSS (Not stock separately)

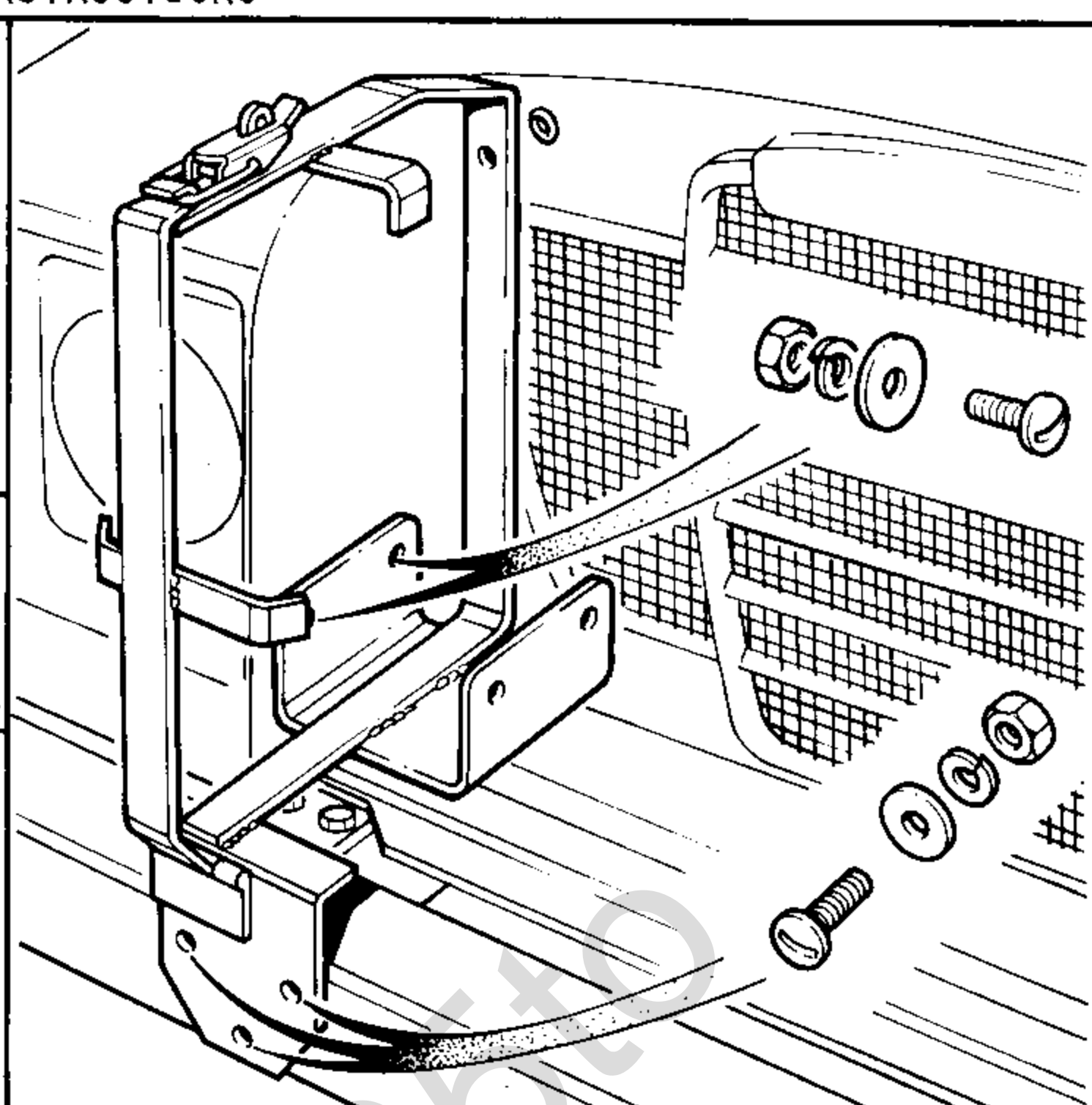
Encloses parts which form an assembly or kit



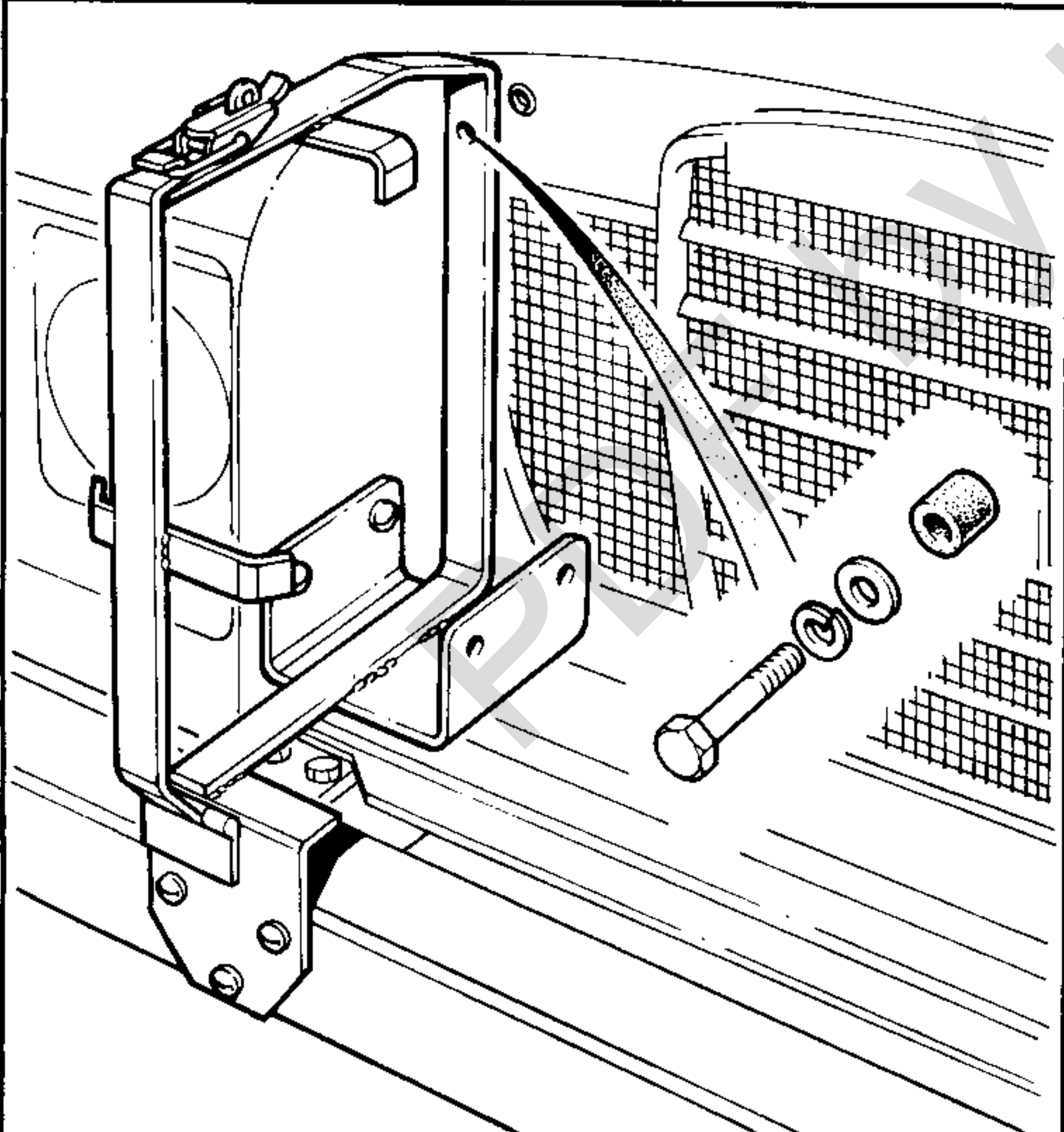
FITTING INSTRUCTIONS



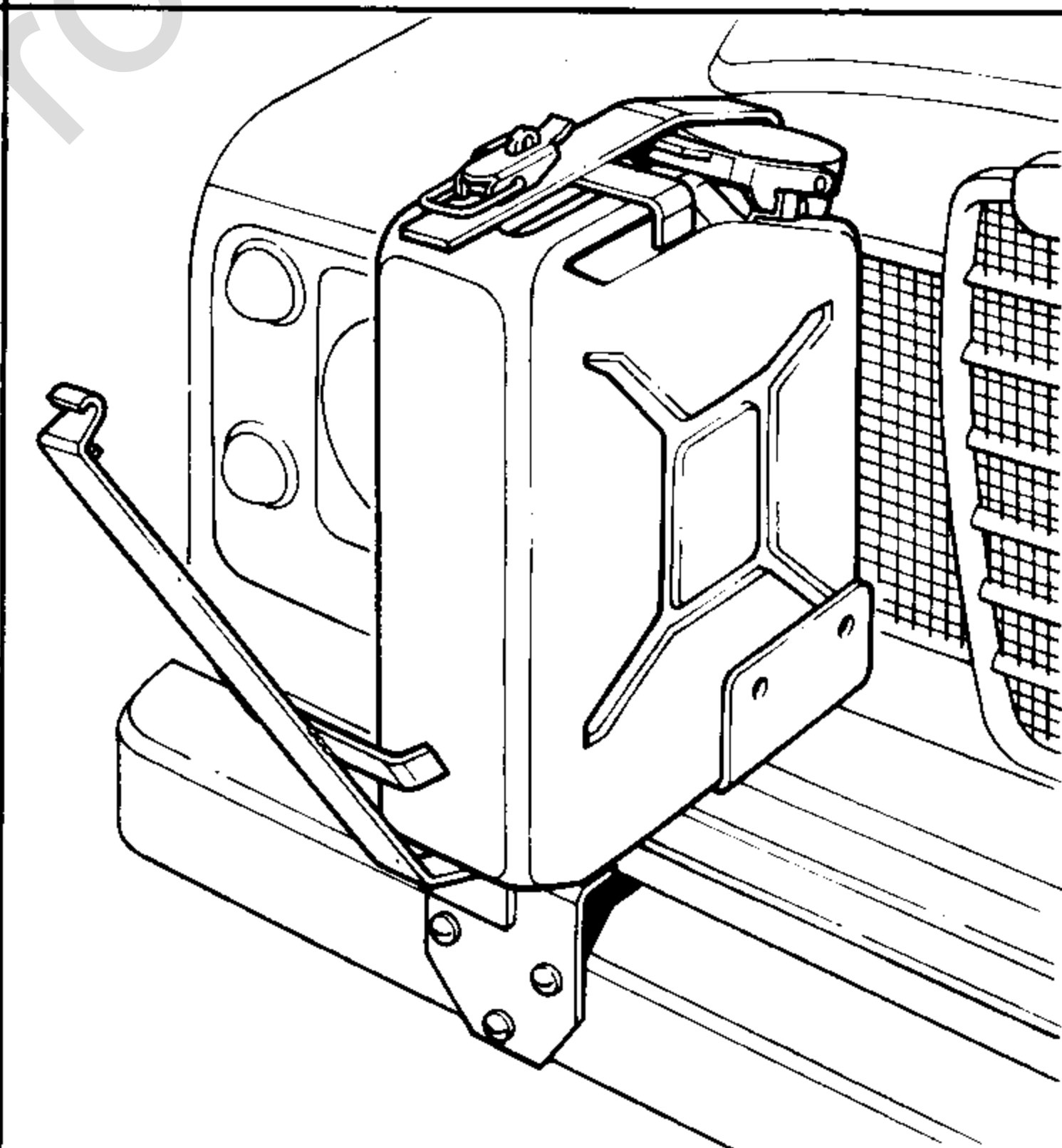
1 Remove number plate bracket, if necessary. Position the jerry can holder horizontally so that it is clear of the apron panel and using the holder as a template mark off and drill six holes to the dimensions shown. Position the riv-nut in the hole in the grille panel and expand.



2 Secure the front and side of the holder to the bumper and wing panel using the fixings supplied. Re-mount the number plate bracket in a suitable position if necessary.



3 Secure the upper rear section of the holder to the grille panel, with the fixings supplied, locating the spacer between the holder and the grille panel.



4 Insert the jerry can into the holder. Locate the loop of the over centre clip over the hook on the hinged strap of the holder and push clip fully home. Provision is made for inserting a padlock if required

### TECHNICAL DATA

Capacity of jerry can	— 4½ gallons (20 litre)
Weight of empty jerry can	— 9 lbs
Weight of full jerry can (water)	— 54 lbs
Weight of jerry can bracket	— 7 lbs

### GENERAL INFORMATION

The jerry cans may be used to carry diesel fuel, petrol or water but owing to the fire risk following an accident it is highly recommended that petrol or diesel fuel is not carried on the front of the vehicle but on a roof rack.

They can be installed singly or in pairs and can be fitted in conjunction with a capstan winch if required.

It should be noted that the fitting of jerry cans and brackets may have an adverse effect on engine cooling. This will only take place in a high ambient air temperature. Customers are reminded that when travelling under these conditions a close check should be kept on the engine temperature.

### MAINTENANCE

Occasional light oiling of the bracket hinge is the only item requiring service.